

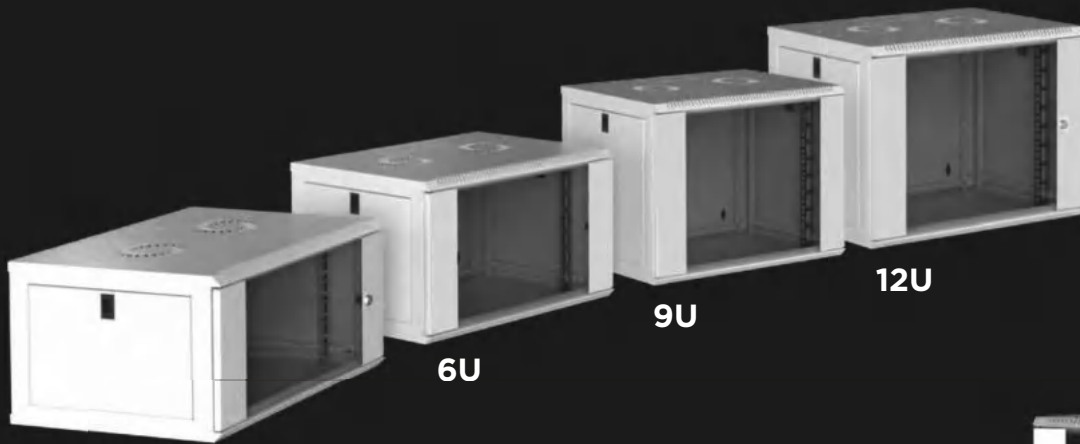


WMR SERIES
WALL MOUNT CABINETS



WMR SERIES

WALL MOUNT CABINETS

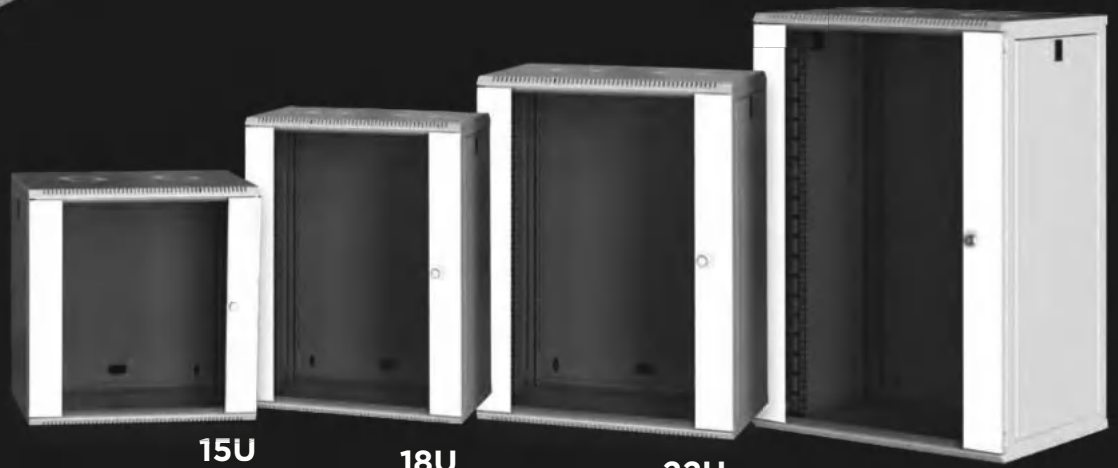


4U

6U

9U

12U



15U

18U

22U

27U



The WMR range of wall cabinets designed for home / office environment.

The cabinet's structure is welded and painted with electro static powder coated finish.

Available in different sizes.

Comply with ANSI/EIA RS- 310-D, DIN41497 part 1, IEC 297-2, DIN41497 part 7, GB/T3047, 2-92 standards.



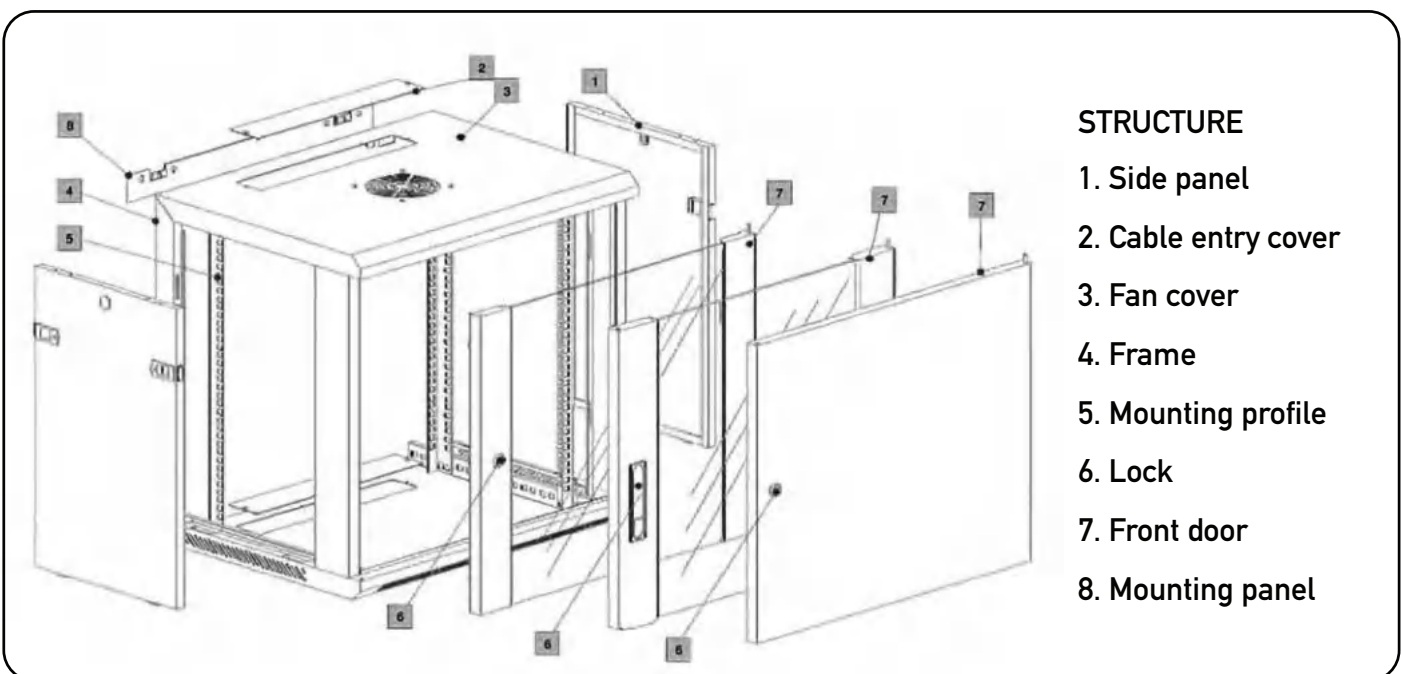
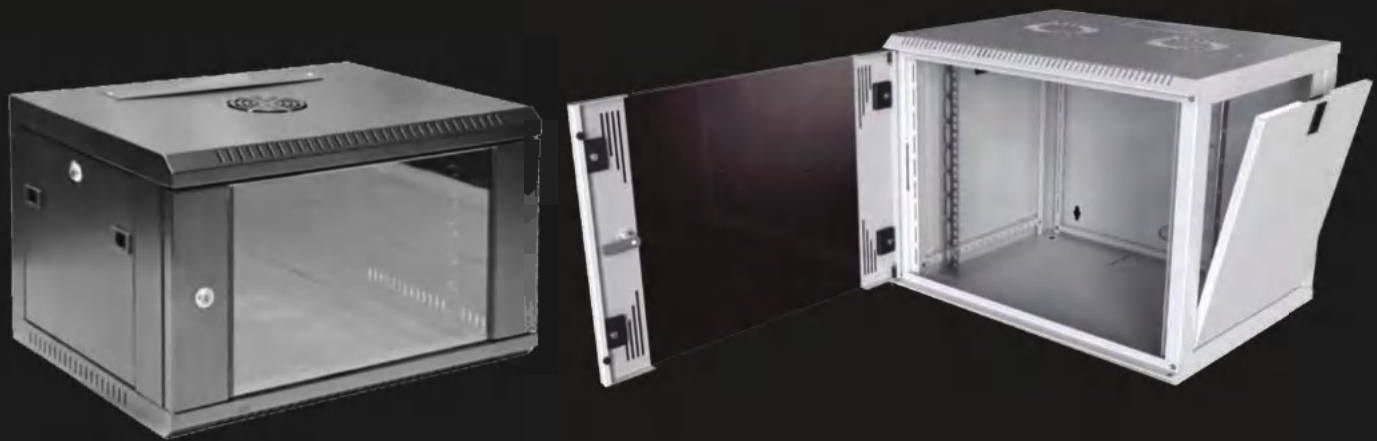
WMR SERIES

WALL MOUNT CABINETS

FEATURES

- ◆ Easy installation
- ◆ Standing or wall mounting installation
- ◆ 180 degree turning angle for front door
- ◆ Cable entry through bottom and top panel
- ◆ Removable side panel
- ◆ Welded frame
- ◆ 19" installation

Material	SPCC cold rolled steel
Degree of protection	IP20
Surface finish	Degreasing, phosphoric, powder coated
Loading capacity	60 KGS



WMR SERIES

WALL MOUNT CABINETS

WALL MOUNT CABINET SINGLE SECTION

TECHNICAL SPECIFICATION

Accessories	Material of Construction	Surface Coating & Colour
Front glass door	5mm toughened glass door /1.2 mm SPCC cold rolled steel	Powder coating
Allen wrench	Steel	Black colour
Mounting Panel	1.2 mm SPCC cold rolled steel	Powder coating
Cable entry cover	1.2 mm SPCC cold rolled steel	Powder coating
Fan cover	1.2 mm SPCC cold rolled steel	Powder coating
Mounting Profile	1.2 mm SPCC cold rolled steel	Powder coating
Lock with 2 keys	Stainless steel	-
Frame	1.2 mm SPCC cold rolled steel	Powder coating
M6 Square nut	Steel	Zinc colour
M6 head screw	Steel	Zinc colour
Side Panel	1.2 mm SPCC cold rolled steel	Powder coating

ORDERING INFORMATION

Part Number	Description	Dimension (mm)
NTSW4U60451FC1	Netcon, 4U single section 600W*450D wall mount cabinet, front glass & 1 way fan	600 x 450 x 279
NTSW6U60451FC1	Netcon, 6U single section 600W*450D wall mount cabinet, front glass & 1 way fan	600 x 450 x 368
NTSW6U60601FC1	Netcon, 6U single section 600W*600D wall mount cabinet, front glass & 1 way fan.	600 x 600 x 501
NTSW9U60601FC1	Netcon, 9U single section 600W*600D wall mount cabinet, front glass & 1 way fan	600 x 600 x 635
NTSW12U60601FC1	Netcon, 12U single section 600W*600D wall mount cabinet, front glass & 1 way fan	600 x 600 x 769
NTSW15U60601FC1	Netcon, 15U single section 600W*600D wall mount cabinet, front glass & 1 way fan	600 x 600 x 901
NTSW18U60601FC1	Netcon, 18U single section 600W*600D wall mount cabinet, front glass & 1 way fan	600 x 600 x 1082
NTSW20U60601FC1	Netcon, 20U single section 600W*600D wall mount cabinet, front glass & 1 way fan	600 x 600 x 1304

* C1= RAL 9010, C2= RAL 9004

